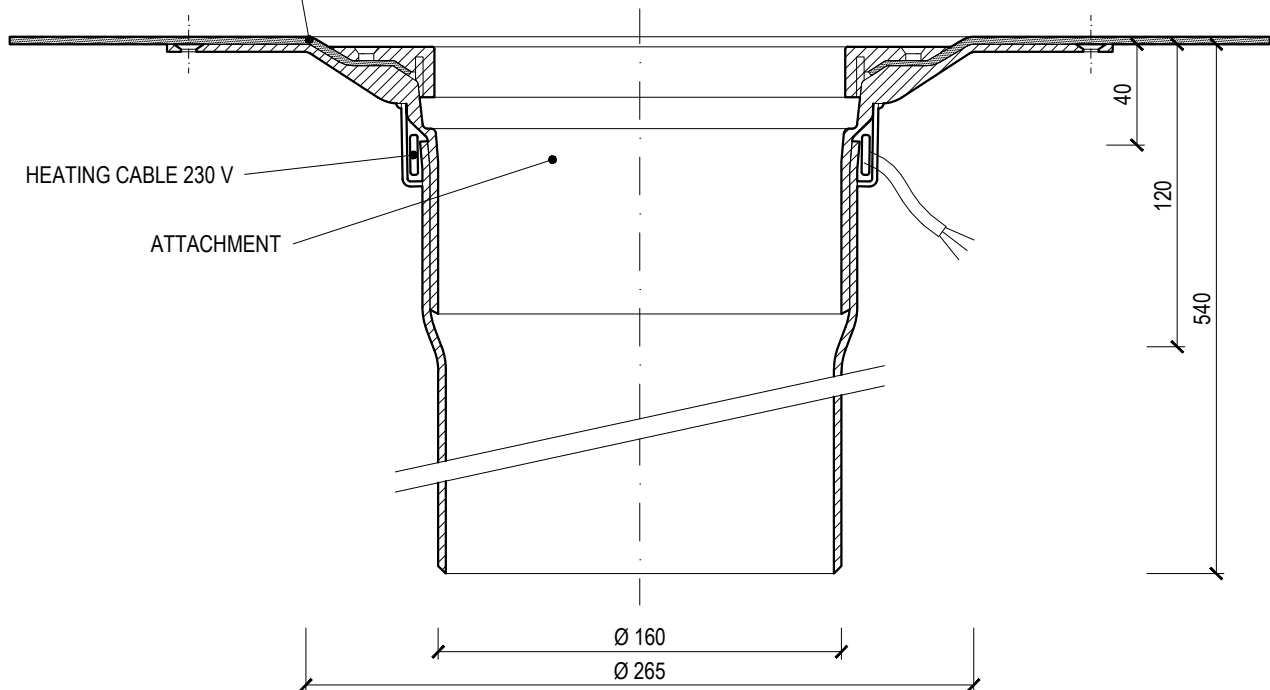
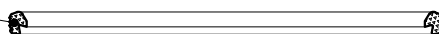


SLEEVE FOR CONNECTION TO
HYDRO-INSULATION



SEALING RING



Name **HEATED ATTACHMENT FOR ROOF OUTLETS**

Type **TWNE v500 XL PVC**

Weight 2,50 kg

Code 205237500

Material POLYAMIDE

Scale 1:3

TOPWET

SYSTEMS FOR DRAINAGE
OF FLAT ROOFS

info@topwet.cz

www.topwet.cz