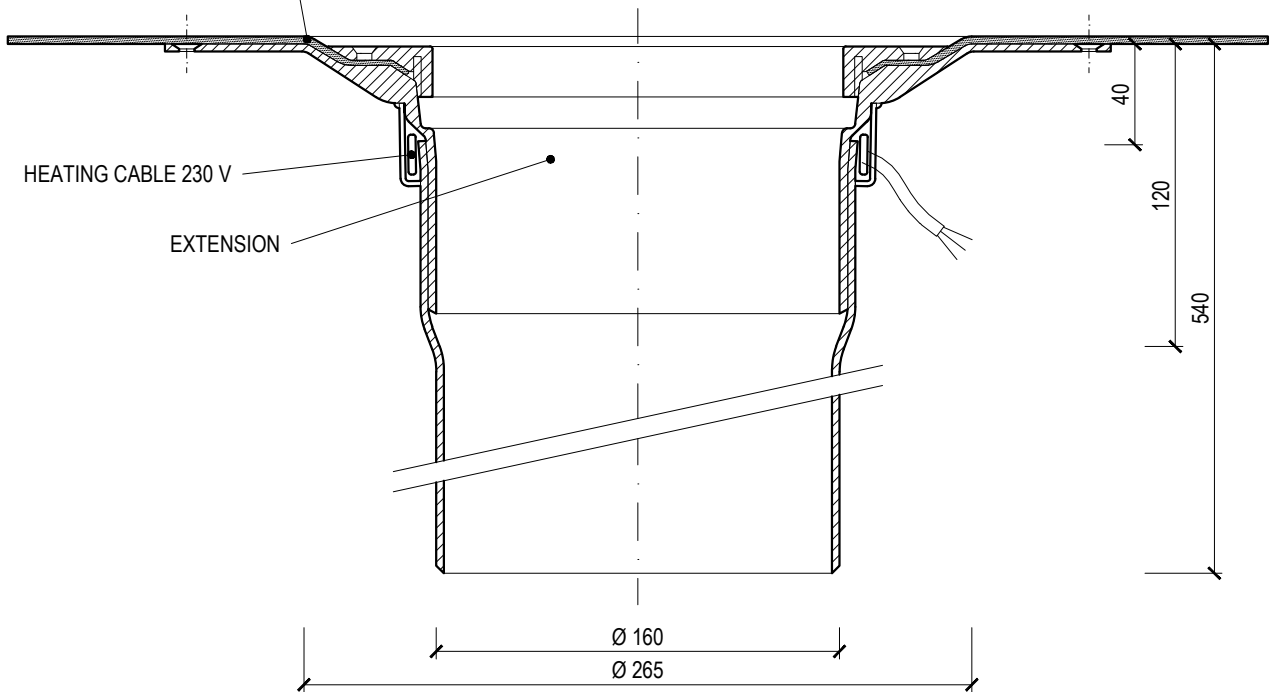
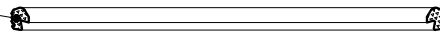


SLEEVE FOR CONNECTION TO HYDRO-INSULATION



SEALING RING



Name **HEATED EXTENSION FOR ROOF OUTLETS**

Type **TWNE v500 XL**

Weight 2,50 kg

Code 205837500

Material POLYAMIDE

Scale 1:3

___ = custom-made sleeve (TPO, PE, EPDM, STE,...)

TOPWET

SYSTEMS FOR DRAINAGE OF FLAT ROOFS

info@topwet.cz

www.topwet.cz