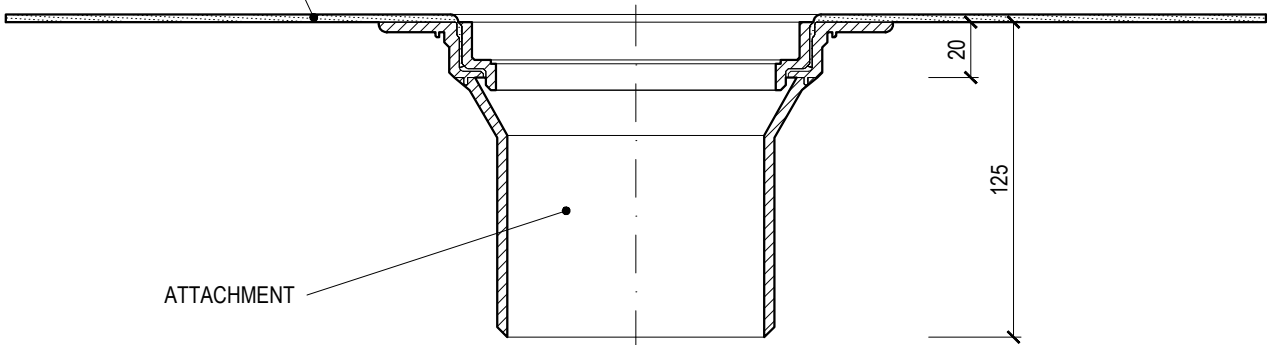
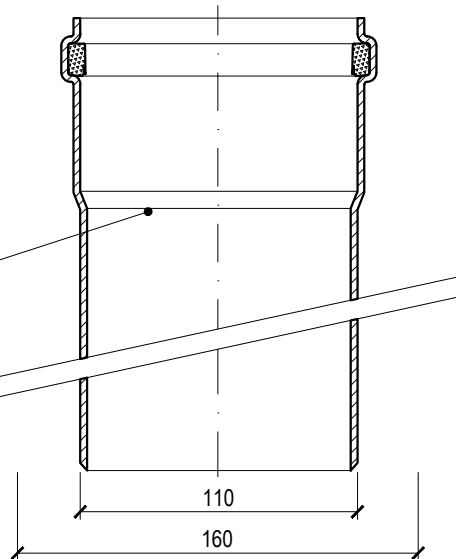


SLEEVE FOR CONNECTION TO HYDRO-INSULATION



ATTACHMENT

PIPE



Name **ATTACHMENT FOR TERRACE OUTLETS**

Type **TWTN v300 BIT**

Weight 0,89 kg

Code 212110300

Material POLYAMIDE

Scale 1:3

**TOPWET**

SYSTEMS FOR DRAINAGE OF FLAT ROOFS

info@topwet.cz

www.topwet.cz